

TECHNICAL DATASHEET

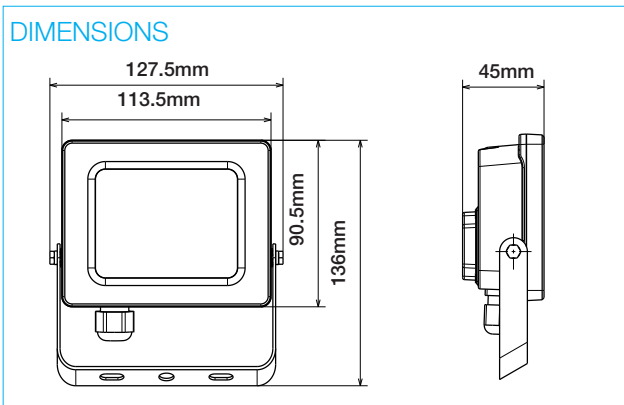
AFL010/CCT 10W IP65 Hunter Slim Design CCT Floodlight



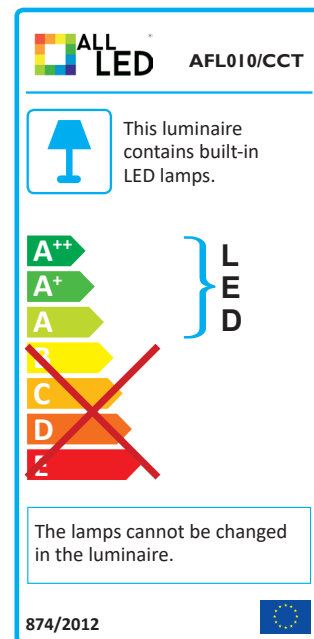
PRODUCT FEATURES

- Easy-Install Angled Bracket
- Tri-Colour Selectable (3000K, 4000K & 6000K)
- Slimline Die-cast Aluminium Construction
- Prismatic Toughened Glass
- Push Terminals for Effortless Install
- Built-in Junction Box

DIMENSIONS



Product Code	AFL010/CCT
Rated Power	10W
Housing Colour	Textured Black
Operating Voltage	220-240V
Frequency	50-60Hz
CRI	>80
PF	>0.9
Beam Angle	120°
Lifetime to LM70	<30,000 hr
Operating Temperature	-25°C ~ +40°C
SDCM	<6
Starting Time	0.5s
Ingress Protection	IP65
LED Chip Type	SMD2835
Guarantee	2 years
Lumens:	
3000K	≤760Lm
4000K	≤915Lm
6000K	≤830Lm
CCT	3000K /4000K /6000K
Switching Cycles	≤15,000
Peak Intensity:	
3000K	303cd
4000K	364cd
6000K	322cd
Class	I



TECHNICAL DATASHEET

AFL010/CCT/PIR

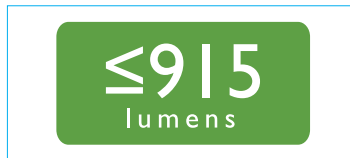
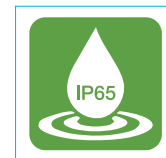
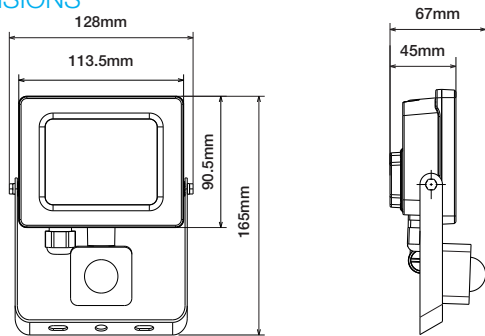
10W IP65 Hunter Slim Design CCT PIR Floodlight



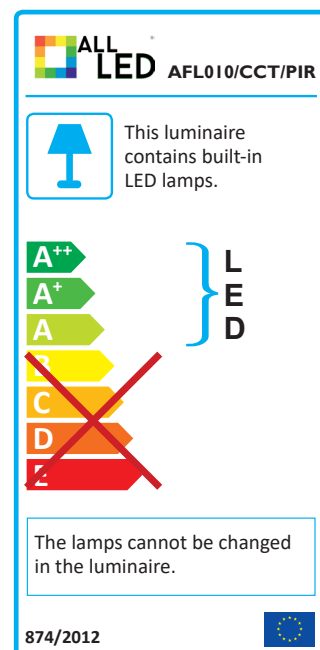
PRODUCT FEATURES

- Easy-Install Angled Bracket
- Tri-Colour Selectable (3000K, 4000K & 6000K)
- Slimline Diecast Aluminium Construction
- Prismatic Toughened Glass
- Push Terminals for Effortless Install
- Built-in Junction Box
- Manual Override
- Active Occupancy Monitoring Sensor
- Fully Adjustable PIR

DIMENSIONS



Product Code	AFL010/CCT/PIR
Rated Power	10W
Housing Colour	Textured Black
Operating Voltage	220-240V
Frequency	50-60Hz
CRI	>80
PF	>0.9
Beam Angle	120°
Lifetime to LM70	30,000 hr
Operating Temperature	-25°C-+40°C
SDCM	<6
Starting Time	0.5s
Ingress Protection	IP65
LED Chip Type	SMD2835
Guarantee	2 years
Lumens	
3000K	≤760Lm
4000K	≤915Lm
6000K	≤830Lm
CCT	3000K /4000K /6000K
Switching Cycles	≤15,000
Peak Intensity	
3000K	303cd
4000K	364cd
6000K	322cd
Class	I



TECHNICAL DATASHEET

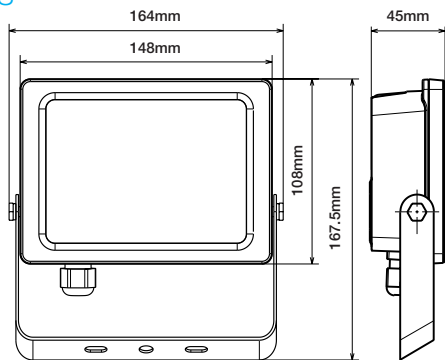
AFL020/CCT 20W IP65 Hunter Slim Design CCT Floodlight



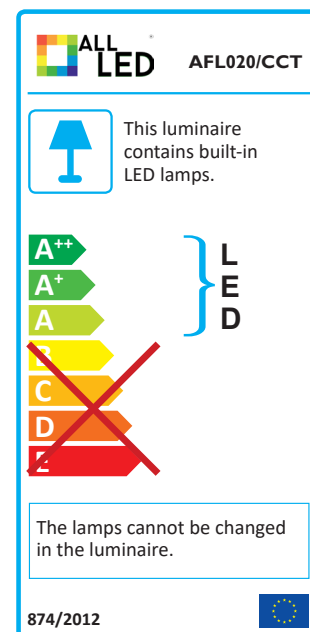
PRODUCT FEATURES

- Easy-Install Angled Bracket
- Tri-Colour Selectable (3000K, 4000K & 6000K)
- Slimline Die-cast Aluminium Construction
- Prismatic Toughened Glass
- Push Terminals for Effortless Install
- Built-in Junction Box

DIMENSIONS



Product Code	AFL020/CCT
Rated Power	20W
Housing Colour	Textured Black
Operating Voltage	220-240V
Frequency	50-60Hz
CRI	>80
PF	>0.9
Beam Angle	120°
Lifetime to LM70	30,000 hr
Operating Temperature	-25°C-+40°C
SDCM	<6
Starting Time	0.5s
Ingress Protection	IP65
LED Chip Type	SMD2835
Guarantee	2 years
Lumens	
3000K	≤1610Lm
4000K	≤1880Lm
6000K	≤1690Lm
CCT	3000K /4000K /6000K
Switching Cycles	≤15,000
Peak Intensity	
3000K	615cd
4000K	712cd
6000K	634cd
Class	I



TECHNICAL DATASHEET

AFL020/CCT/PIR

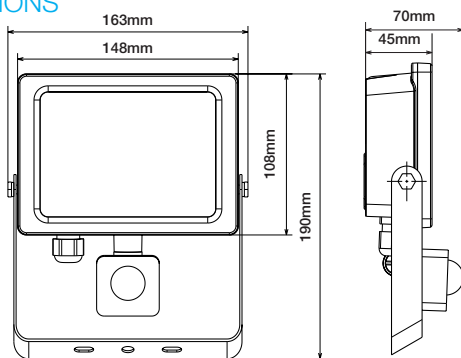
20W IP65 Hunter Slim Design CCT Floodlight With PIR



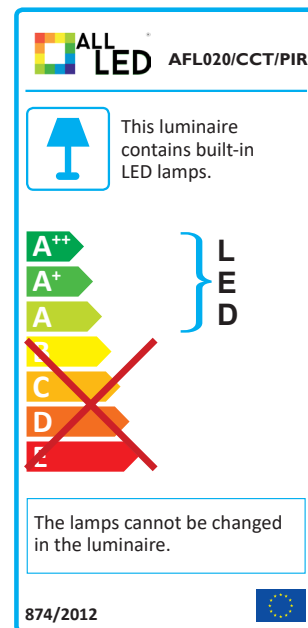
PRODUCT FEATURES

- Easy-Install Angled Bracket
- Tri-Colour Selectable (3000K, 4000K & 6000K)
- Slimline Die-cast Aluminium Construction
- Prismatic Toughened Glass
- Push Terminals for Effortless Install
- Built-in Junction Box
- Manual Override
- Active Occupancy Monitoring Sensor
- Fully Adjustable PIR*

DIMENSIONS



Product Code	AFL020/CCT/PIR
Rated Power	20W
Housing Colour	Textured Black
Operating Voltage	220-240V
Frequency	50-60Hz
CRI	>80
PF	>0.9
Beam Angle	120°
Lifetime to LM70	30,000 hr
Operating Temperature	-25°C-+40°C
SDCM	<6
Starting Time	0.5s
Ingress Protection	IP65
LED Chip Type	SMD2835
Guarantee	2 years
Lumens	
3000K	≤1610Lm
4000K	≤1880Lm
6000K	≤1690Lm
CCT	3000K /4000K /6000K
Switching Cycles	≤15,000
Peak Intensity	
3000K	615cd
4000K	712cd
6000K	634cd
Class	I



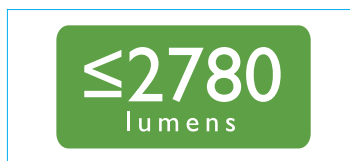
TECHNICAL DATASHEET

AFL030/CCT
30W IP65 Hunter Slim Design CCT Floodlight

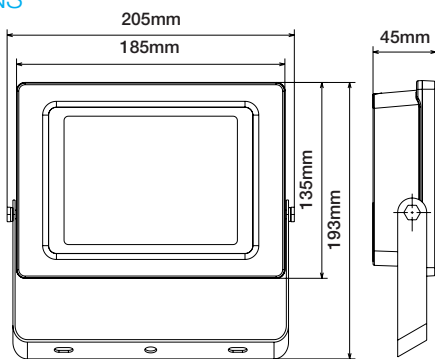


PRODUCT FEATURES

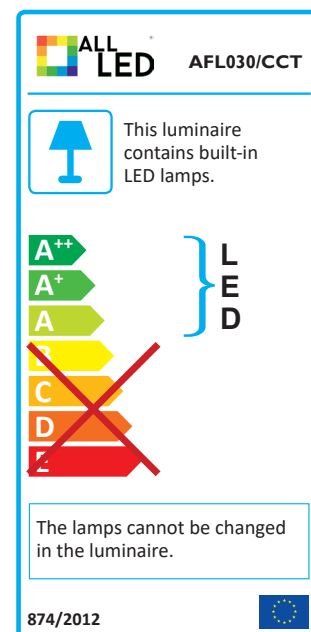
- Easy-Install Angled Bracket
- Tri-Colour Selectable (3000K, 4000K & 6000K)
- Slimline Die-cast Aluminium Construction
- Prismatic Toughened Glass
- Push Terminals for Effortless Install
- Built-in Junction Box



DIMENSIONS



Product Code	AFL030/CCT
Rated Power	30W
Housing Colour	Textured Black
Operating Voltage	220-240V
Frequency	50-60Hz
CRI	>80
PF	>0.9
Beam Angle	120°
Lifetime to LM70	30,000 hr
Operating Temperature	-25°C-+40°C
SDCM	<6
Starting Time	0.5s
Ingress Protection	IP65
LED Chip Type	SMD2835
Guarantee	2 years
Lumens	
3000K	≤2240Lm
4000K	≤2780Lm
6000K	≤2465Lm
CCT	3000K /4000K /6000K
Switching Cycles	≤15,000
Peak Intensity	
3000K	848cd
4000K	1039cd
6000K	889cd
Class	I



TECHNICAL DATASHEET

AFL030/CCT/PIR

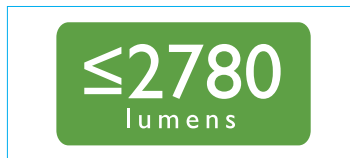
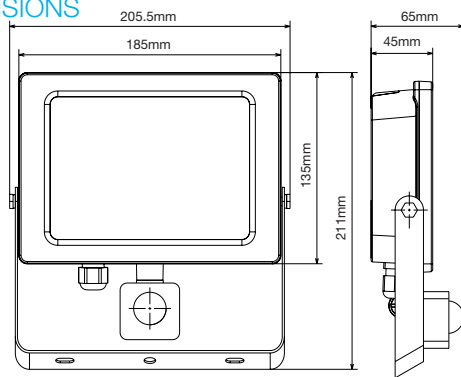
30W IP65 Hunter Slim Design CCT Floodlight With PIR



PRODUCT FEATURES

- Easy-Install Angled Bracket
- Tri-Colour Selectable (3000K, 4000K & 6000K)
- Slimline Die-cast Aluminium Construction
- Prismatic Toughened Glass
- Push Terminals for Effortless Install
- Built-in Junction Box
- Manual Override
- Active Occupancy Monitoring Sensor
- Fully Adjustable PIR

DIMENSIONS



Product Code	AFL030/CCT/PIR
Rated Power	30W
Housing Colour	Textured Black
Operating Voltage	220-240V
Frequency	50-60Hz
CRI	>80
PF	>0.9
Beam Angle	120°
Lifetime to LM70	<30,000 hr
Operating Temperature	-25°C~+40°C
SDCM	<6
Starting Time	0.5s
Ingress Protection	IP65
LED Chip Type	SMD2835
Guarantee	2 years
Lumens	
3000K	≤2240Lm
4000K	≤2780Lm
6000K	≤2465Lm
CCT	3000K /4000K /6000K
Switching Cycles	≤15,000
Peak Intensity	
3000K	848cd
4000K	1039cd
6000K	889cd
Class	I

ALL LED AFL030/CCT/PIR

This luminaire contains built-in LED lamps.

A++
A+
A
B
C
D
E

} LED

The lamps cannot be changed in the luminaire.

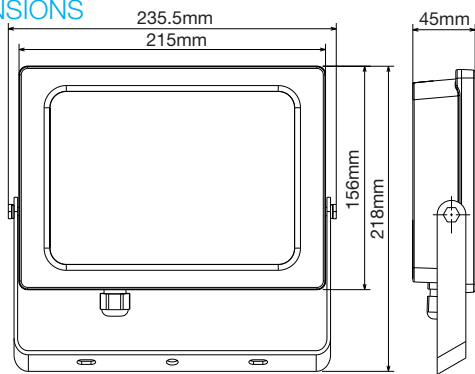
874/2012

TECHNICAL DATASHEET

AFL050/CCT 50W IP65 Hunter Slim Design CCT Floodlight



DIMENSIONS



PRODUCT FEATURES

- Easy-Install Angled Bracket
- Tri-Colour Selectable (3000K, 4000K & 6000K)
- Slimline Die-cast Aluminium Construction
- Prismatic Toughened Glass
- Push Terminals for Effortless Install
- Built-in Junction Box

50W

IP65

GUARANTEE

2

YEAR

≤ 4470
lumens

Product Code	AFL050/CCT
Rated Power	50W
Housing Colour	Textured Black
Operating Voltage	220-240V
Frequency	50-60Hz
CRI	>80
PF	>0.9
Beam Angle	120°
Lifetime to LM70	<30,000 hr
Operating Temperature	-25°C~+40°C
SDCM	<6
Starting Time	0.5s
Ingress Protection	IP65
LED Chip Type	SMD2835
Guarantee	2 years
Lumens	
3000K	≤3780Lm
4000K	≤4470Lm
6000K	≤3850Lm
CCT	3000K /4000K /6000K
Switching Cycles	≤15,000
Peak Intensity	
3000K	1360cd
4000K	1648cd
6000K	1432cd
Class	I

AFL050/CCT

This luminaire contains built-in LED lamps.

The lamps cannot be changed in the luminaire.

874/2012

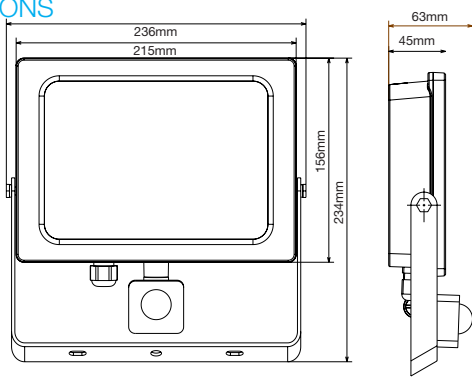
TECHNICAL DATASHEET

AFL050/CCT/PIR

50W IP65 Hunter Slim Design CCT Floodlight With PIR

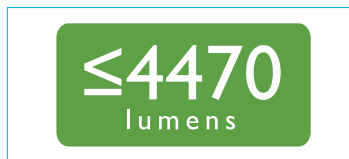


DIMENSIONS



PRODUCT FEATURES

- Easy-Install Angled Bracket
- Tri-Colour Selectable (3000K, 4000K & 6000K)
- Slimline Die-cast Aluminium Construction
- Prismatic Toughened Glass
- Push Terminals for Effortless Install
- Built-in Junction Box
- Manual Override
- Active Occupancy Monitoring Sensor
- Fully Adjustable PIR



Product Code	AFL050/CCT/PIR
Rated Power	50W
Housing Colour	Textured Black
Operating Voltage	220-240V
Frequency	50-60Hz
CRI	>80
PF	>0.9
Beam Angle	120°
Lifetime to LM70	<30,000 hr
Operating Temperature	-25°C~+40°C
SDCM	<6
Starting Time	0.5s
Ingress Protection	IP65
LED Chip Type	SMD2835
Guarantee	2 years
Lumens	
3000K	≤3780Lm
4000K	≤4470Lm
6000K	≤3850Lm
CCT	3000K /4000K /6000K
Switching Cycles	≤15,000
Peak Intensity	
3000K	1360cd
4000K	1648cd
6000K	1432cd
Class	I

ALL LED AFL050/CCT/PIR

This luminaire contains built-in LED lamps.

A++
A+
A
B
C
D
E

}

LED

The lamps cannot be changed in the luminaire.

874/2012